



Bathtub-shower

BLB03

LAB COLLECTION

Design Pierre Bélanger and WETSTYLE Design Lab

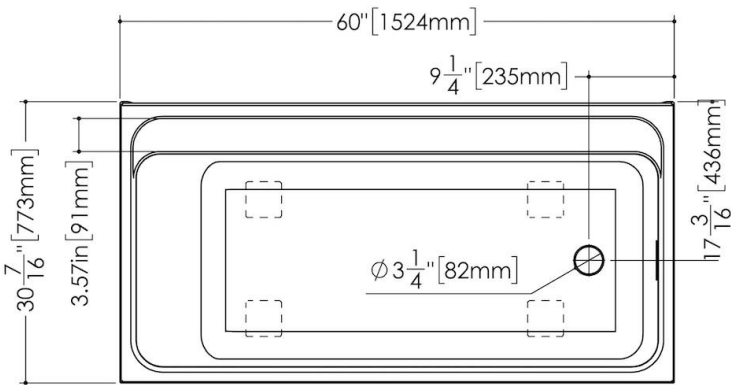


FEATURES

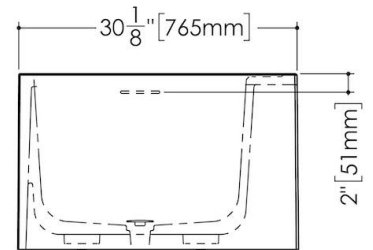
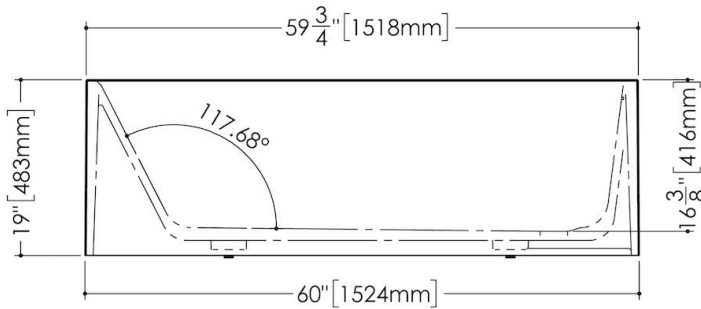
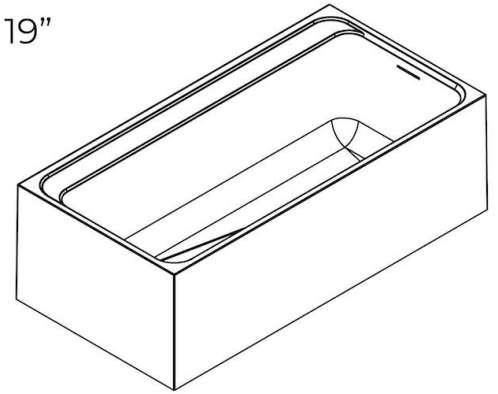
- Handcrafted in Montreal, Canada
- Integral Overflow with or without decorative trim
- Heat Retentive Material
- Soft Toe Touch End Drain
- Plug & Bath™ Drain Connection For Quick Installation
- Bathtub can be used as a bathtub/shower combination

TECHNICAL DETAILS

- **Width:** 60"
- **Length:** 30"
- **Height:** 19"
- **Weight:** 267 lbs / 121 kg



BLB 03
60" x 30" x 19"



WETSTYLE cannot be held responsible for any technical errors and reserves the right to make revisions without notice. Approximate measurement. The manufacturer accepts 1/4" (6.35mm) variance.

OPTIONS

Model

- BLB0302 - Back Wall
- BLB0304 - Left and Back Walls
- BLB0305 - Right and Back Walls
- BLB0306

Drain Overflow Trim Finish

- Black Drain - No Trim Overflow (#BLNT)
- Black Drain and Polished Chrome Overflow (#BLPC)
- Brushed Nickel Drain - No Trim Overflow (#BNNT)
- Brushed Nickel Drain and Overflow (#BN)
- Matte Black Drain - No Trim Overflow (#MBNT)
- Matte Black Drain and Overflow (#MB)
- Matte Black Drain and Polished Chrome Overflow (#MBPC)
- Polished Chrome Drain - No Trim Overflow (#PCNT)
- Polished Chrome Drain and Overflow (#PC)
- Satin Brass Drain - No Trim Overflow (#SBNT)
- Satin Brass Drain and Overflow (#SB)
- White Drain - No Trim Overflow (#WHNT)
- White Drain and Polished Chrome Overflow (#WHPC)

Wetmar Bio Finish

- Black Matte (#MBL)
- Stone Harbour Grey Matte (#MGR)
- White Dual (#DA)
- White Matte (#MA)
- White True High Gloss (#GA)

Plumbing Connection

- Copper/Brass Connection - local code dependant (#COP)
- Standard ABS Connection

NOTES

IMPORTANT - BATHTUB INSTALLATION SUPPLIES: A 1/4" tile flange will be supplied to comply with the requested position. Installed at the factory to prevent water leakage, this must be placed directly on the partition framing prior to the installation of drywall.