

FEEL COLLECTION

OPTIONAL CUT ORDER FORM Visit wetstyle.com/feelcustom to download the form

Dealer name _____ Sales person _____

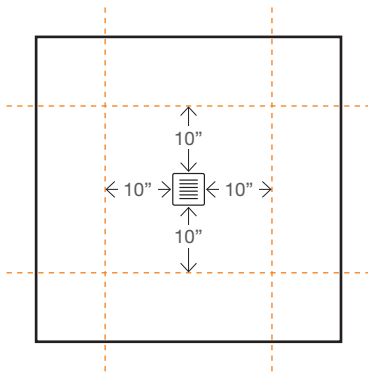
P.O. # _____ Email _____

Feel model # _____ Phone _____

YOU MUST SUBMIT ONE FORM FOR EACH SHOWER BASE UNIT

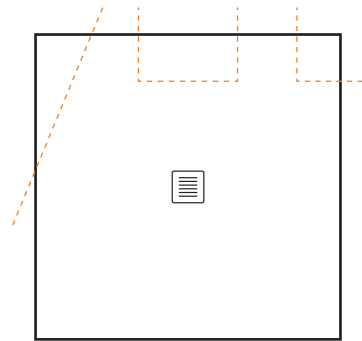
FACTORY-MADE CUTS

If done by WETSTYLE at factory
≥ 10" / 254 mm minimum distance between cut and drain



ON-SITE CUTS

Cannot be done at factory,
must be done on-site by installer

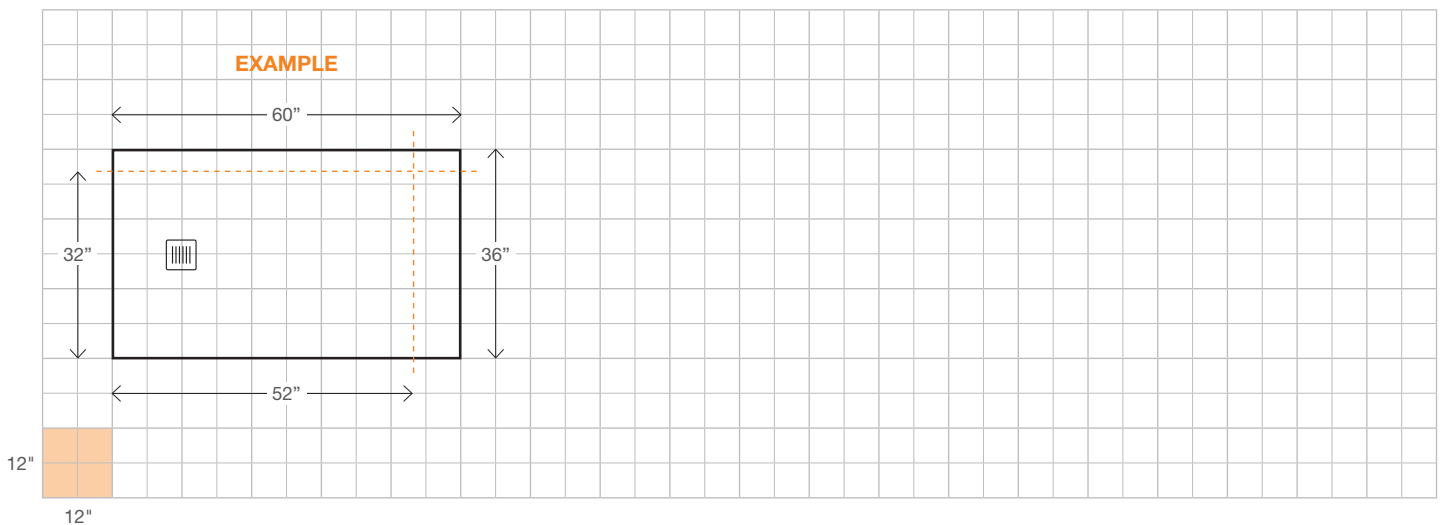


DESIRED CUT(S)

1 DRAW SHOWER BASE AND INDICATE ORIGINAL SIZE

2 DRAW CUT(S) USING DOTTED LINES*

3 INDICATE FINAL SIZE



*End-drain and off-set models: cuts are not possible on the side closest to the drain.