



# Ove

## BOV 01-62

inch 62x26x24.75 mm 1575x660x629



### Interior dimensions

Rim: 60x24 inch — 1524x610 mm  
 Base: 51.75x20.25 inch — 1314x514 mm  
 Height: 20.5 inch — 521 mm

### Capacity to overflow

65 gal — 250 liters

### Weight

170 lb — 77 kg

### Installation

Freestanding

### Material

WETMAR BiO™  
 True High Gloss™ or matte finish

### Color

White

### Codes/standards applicable

IAPMO-ANSI Z124.1  
 IAPMO-ANSI Z124.3  
 CSA B45.0  
 CSA B45.4

### Overflow and drain connection

WETSTYLE Plug & Bathe™ system  
 (ABS or copper/brass)

### Overflow

Built-in  
 Slot design  
 Polished chrome or brushed nickel

### Drain

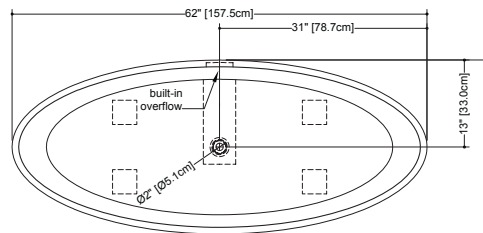
Soft toe touch  
 Polished chrome or brushed nickel

### Faucet area recommended

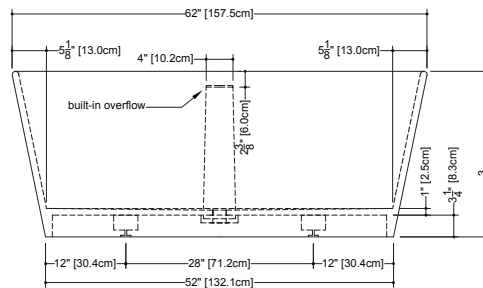
Wall-mounted or floor-mounted

### Option

Columns for wall or  
 Deck-mounted faucets  
 (refer to the Column collection)



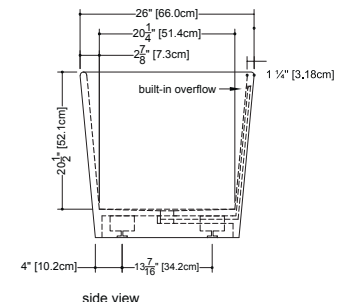
plan view



front view

WETSTYLE Plug & Bathe™ overflow and drain connection system includes:

- Soft-touch pop-up drain, for built-in overflow. Fits both 1-1/2" ABS drain waste and 1-1/2" tubular brass drain
- 1-1/2" ABS Direct vertical drain waste fitting (copper/brass option also available)
- 1-1/2" ABS 90° Elbow drain waste fitting (copper/brass option also available)



side view

WETSTYLE cannot be held responsible for any technical errors and reserves the right to make revisions without notice.

Approximate measurement.  
 The manufacturer accept 1/4" (6.35mm) variance.

R01/15

www.WETSTYLE.CA — Montreal, Canada  
 T. 450.536.9000 • 1 888.536.9001 — F. 450.536.0202

