

# Cube

## BC 11

inch 60x32x21 mm 1524x813x533

### interior dimensions

rim: inch 52x24 mm 1321x610  
base: inch 46x22 mm 1168x559  
height: inch 17.75 mm 451

### capacity to overflow

gal (us) - 70 liters - 265

### weight

lb - 245 kg - 111

### installation

freestanding, 1 wall, 2 walls or 3 walls

### accessory

oak bridge wenge shade

### material

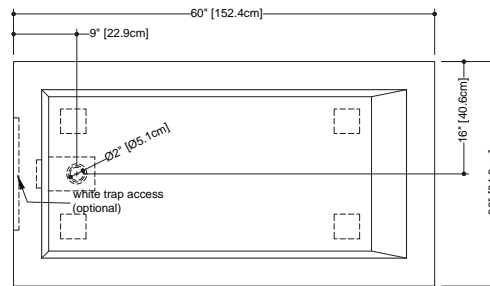
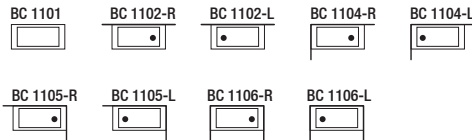
WETMAR BIO™, True High Gloss™  
or matte finish

### color

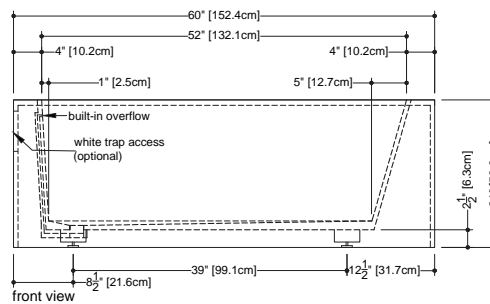
white

### codes/standards applicable

IAPMO-IAPMO-ANSI Z124.1  
IAPMO-IAPMO-ANSI Z124.3  
CSA B 45.0 - CSA B45.4



plan view

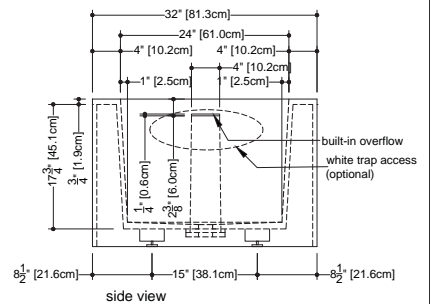


front view



### WETSTYLE Plug & Bathe™ overflow and drain connection system includes:

- Soft-touch pop-up drain, for built-in overflow. Fits both 1-1/2" ABS drain waste and 1-1/2" tubular brass
- 1-1/2" ABS Direct vertical drain waste fitting (copper/brass option also available)
- 1-1/2" ABS 90° Elbow drain waste fitting (copper/brass option also available)



side view

WETSTYLE cannot be held responsible for any technical errors and reserves the right to make revisions without notice.

Approximate measurement.  
The manufacturer accept 1/4" (6.35mm) variance.

www.WETSTYLE.CA - Montreal - Canada  
Tel. 450.536.9000 - 1 888.536.9001 - Fax. 450.536.0202





optional trap access



# Cube

**BC 11**

inch 60x32x21 mm 1524x813x533

■ **overflow and drain connection**  
WETSTYLE Plug & Bathe™ system  
(ABS or copper/brass)

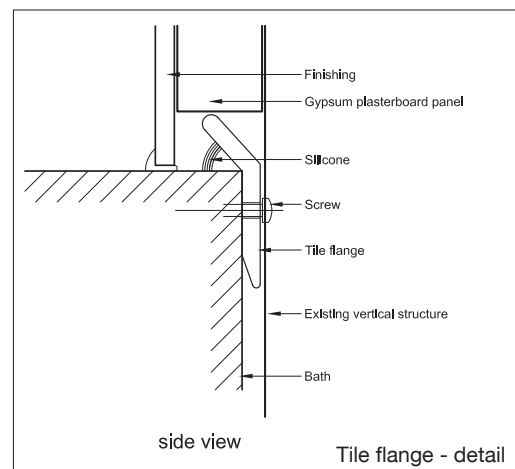
■ **overflow**  
slot design  
polished chrome or brushed nickel

■ **drain**  
soft toe touch  
polished chrome or brushed nickel

■ **waste and overflow kit**  
included

■ **faucet area recommended**  
- wall-mounted faucet for BC1106-R, BC1106-L  
- deck-mounted, floor-mounted or  
wall-mounted for other models

■ **trap access**  
white access panel



**Bathtub installation supplies**

A tile flange will be supplied to comply with the requested position. Installed at the factory to prevent water leakage, this must be placed directly on the partition framing prior to the installation of drywall.

WETSTYLE cannot be held responsible for any technical errors and reserves the right to make revisions without notice.

Approximate measurement.  
The manufacturer accept 1/4" (6.35mm) variance.

www.WETSTYLE.CA - Montreal - Canada  
Tel. 450.536.9000 - 1 888.536.9001 - Fax. 450.536.0202

