



## **FRAME LINEA VANITY INSTALLATION GUIDE**

S T Y L E

### **INDEX**

<b>Before you begin</b>	p.1
<b>Installation</b>	
• <b>Wall preparation</b>	p.2
• <b>Plumbing</b>	p.3
• <b>Wall-mount installation</b>	p.4
• <b>Sink anchoring</b>	p.5
• <b>Drawer adjustments</b>	p.6
• <b>Cleaning guide</b>	p.8
• <b>Warranty</b>	p.8

### **BEFORE YOU BEGIN**

Thank you for choosing from WETSTYLE's line of quality products.

Please note that prior to shipment from the manufacturing facility, the furniture you have received has passed quality control and was in excellent condition upon leaving the WETSTYLE facility.

We recommend that you carefully inspect the product prior to its installation. If there are any defects, please contact the dealer from whom you purchased the product and please **DO NOT** install the furniture. WETSTYLE will not be held responsible for any defects or damage discovered once the furniture is installed.

It is highly recommended that a professional undertake the installation of the Vanity.

Please read this guide carefully to ensure the proper installation and reliability of your product for many years to come.

For assistance, please call customer service at 1.888.536.9001.

**WARNING!**

To reduce the risk of fire, electric shock, or injury to persons, please read these instructions thoroughly before using this product.

Important Safety Instructions must be kept for future use.

**TOOLS AND EQUIPMENT**

- Drill and bits
- Measuring tape
- Protective paper
- Pencil
- Level
- Protective eyeglasses
- Wood screw #8, 5/8" and 1-1/2" long
- Wood screw #10, 3" and 4" long

**IMPORTANT**

This installation might require custom placement of studs relative to the position of the product in the room. Please read the instructions related to your Vanity model carefully.

**Wall Preparation Steps**

- 1.1 Make sure that walls and floor are straight and level.
- 1.2 Determine overall Vanity dimensions.
- 1.3 Determine the desired location of the Vanity.
- 1.4 The distance between studs should not be more than 16".
- 1.5 Metal studs should be reinforced vertically by 2" x 4" wooden studs. This is applicable for both Linea Vanities.
- 1.6 Metal and wooden studs should be reinforced horizontally with 2" x 6" wooden studs at anchoring heights:
  - 23 3/8" along the full width of the vanity
- 1.7 Do not apply the product to the wall surface until all braces and mounting clips have been installed and all plumbing and electrical rough-ins have been completed.

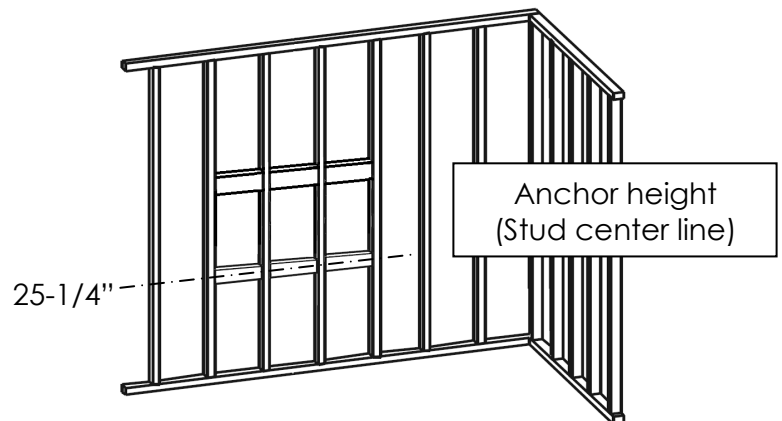
**Center Line Anchoring Heights:**

Vanity: 32" from floor

Z-clip height: 28"

Z-clip anchor height: 25-1/4"  
(Stud center line)

\* See diagram on page 3



## **VANITY PREPARATION**

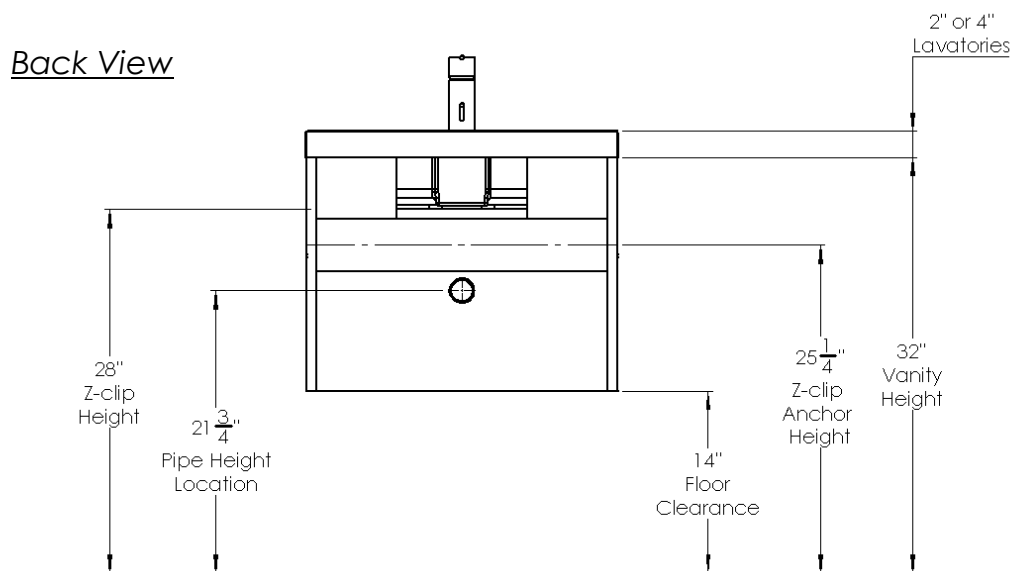
*Prior to installation,*

### **PLUMBING**

The pipes should be positioned at an approximate height of 21-3/4" or within the connection area depicted below.

### **IMPORTANT**

Please be advised that the LINEA COLLECTION was designed to receive WETSTYLE sinks as noted in the WETSTYLE price list and catalogue. The manufacturer does not take responsibility for the use of third party sink or countertops in conjunction with the LINEA vanity



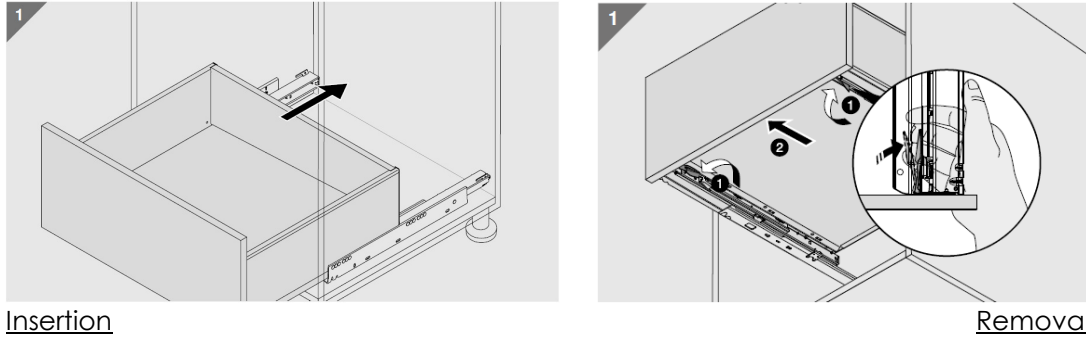
**NOTE:** All LINEA VANITIES must be securely wall-mounted with the custom Z-clips provided with the furniture.

## WALL-MOUNT

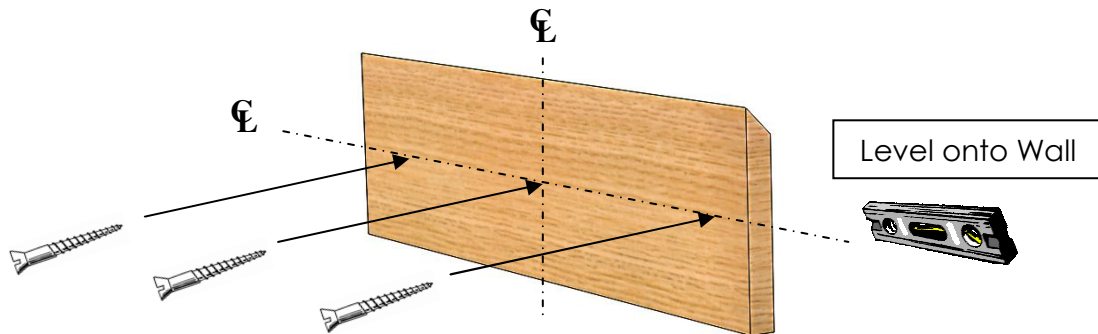
**ATTENTION:** Vanity is to be hung onto the provided Z clip.

1. Remove Vanity drawers and cover glides with masking tape to protect them from dust.

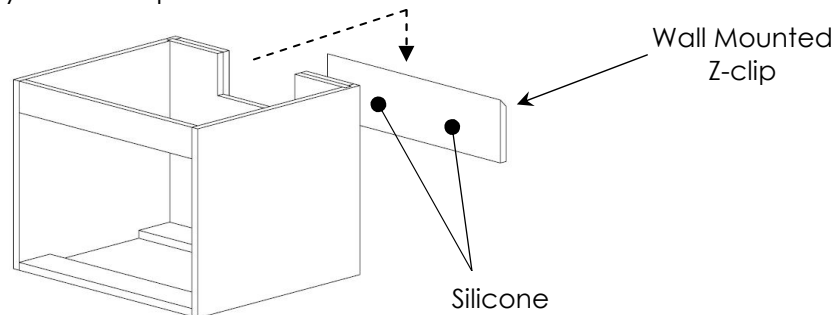
Drawer Insertion and Removal



2. Remove Z-clip from back of vanity. Align and level the Z-clip according to horizontally reinforced studs and desired Vanity height.
3. Install Z-clip to the wall studs at 25-1/4" center line, using evenly spaced 3" long #10 wood screws. Fasten securely.



4. Apply a general purpose silicone sealant before placing the vanity.
5. Position the Vanity onto Z-clip.

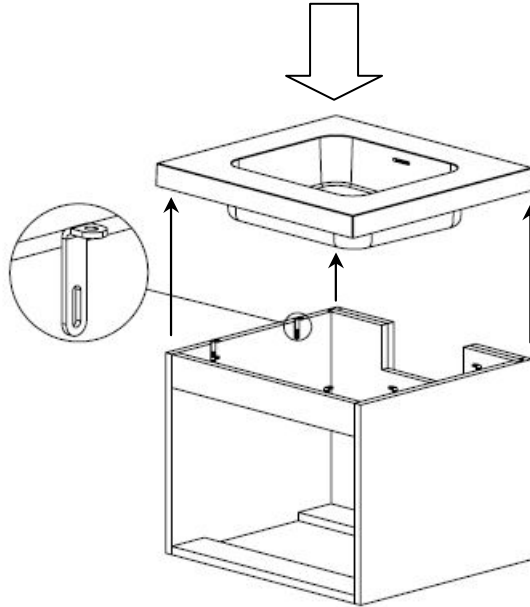


6. In addition to the wooden Z Clip system, the wall-mounted vanities must be attached to the back wall. Pre-drill pilot holes to accommodate 4" long #10 Wood screws. From inside the vanity, screw the unit every 3" to the back wall.

- FRAME LINEA VANITY INSTALL GUIDE -  
(2018-05-07)

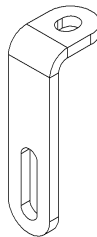
## **Sink Anchoring**

1. *CAUTION: If needed, drill faucet holes before installing sink onto the vanity. Please refer to tap drilling instructions at [www.wetstyle.ca](http://www.wetstyle.ca)*
2. Gently position and align Countertop Sink onto Vanity.



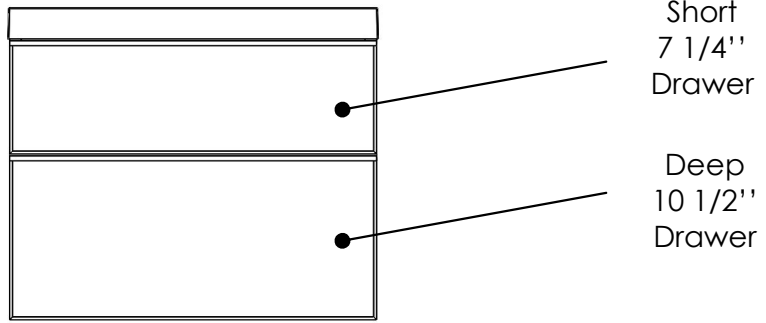
3. Fasten Sink with provided L-Bracket within Vanity using 5/8'' long #8 wood screws.

*Note: The underside of sink is fitted with wooden inserts for anchoring purposes. Wood screws should not be screwed directly into sink.*

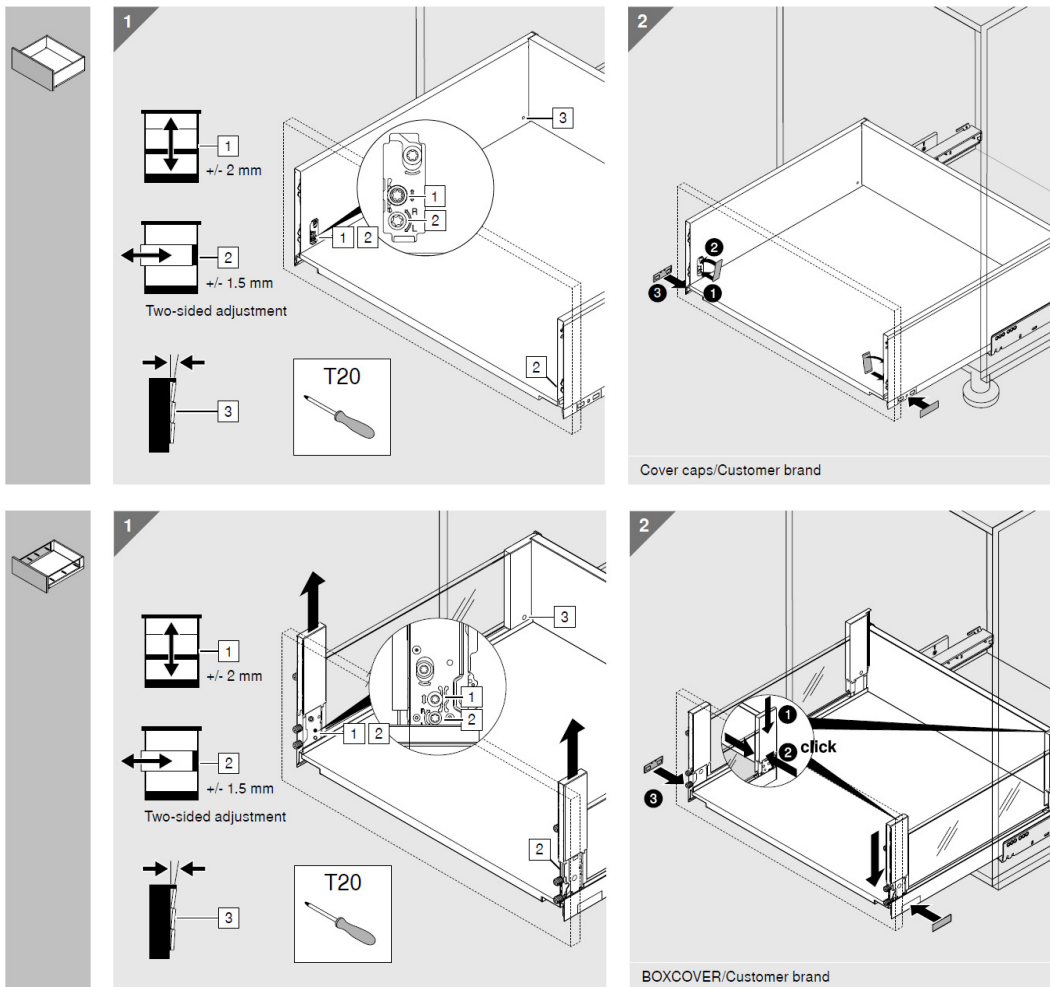


4. Install plumbing fixtures
5. Remove dust prior to exposing glides.
6. Insert Vanity drawers
7. Remove plastic film on Lavatory.

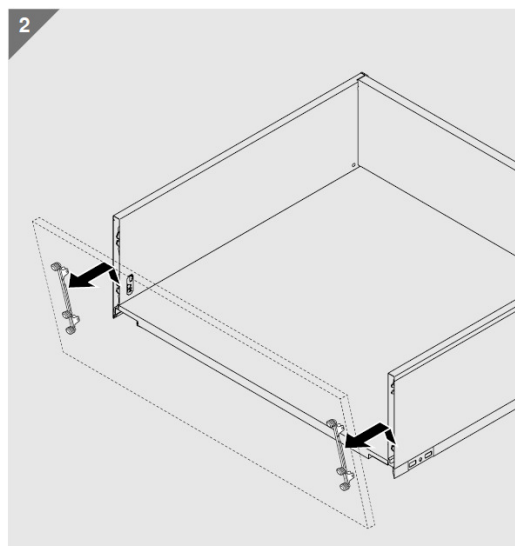
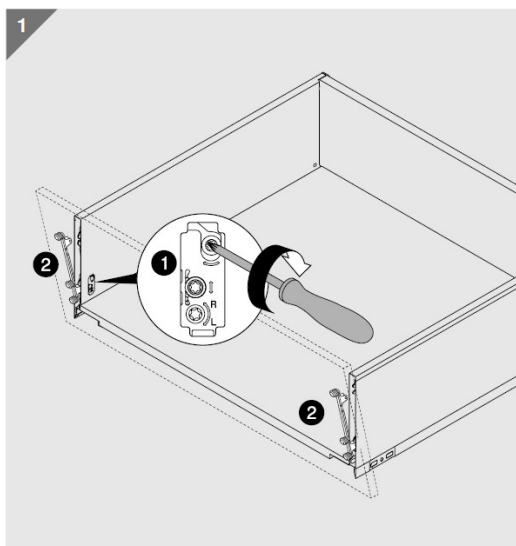
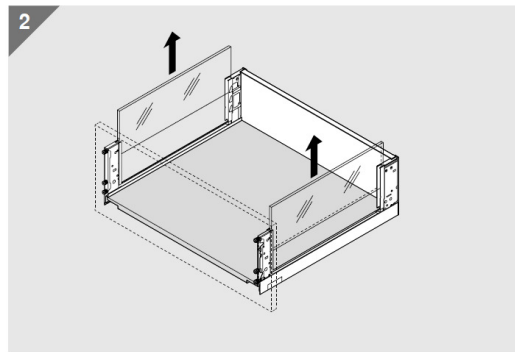
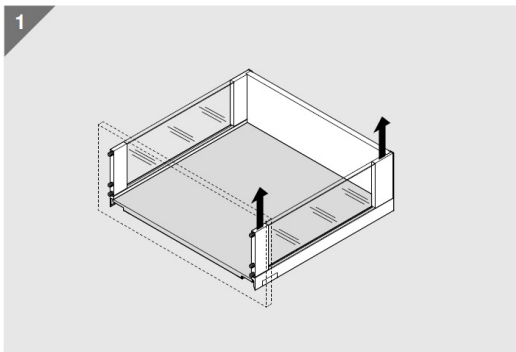
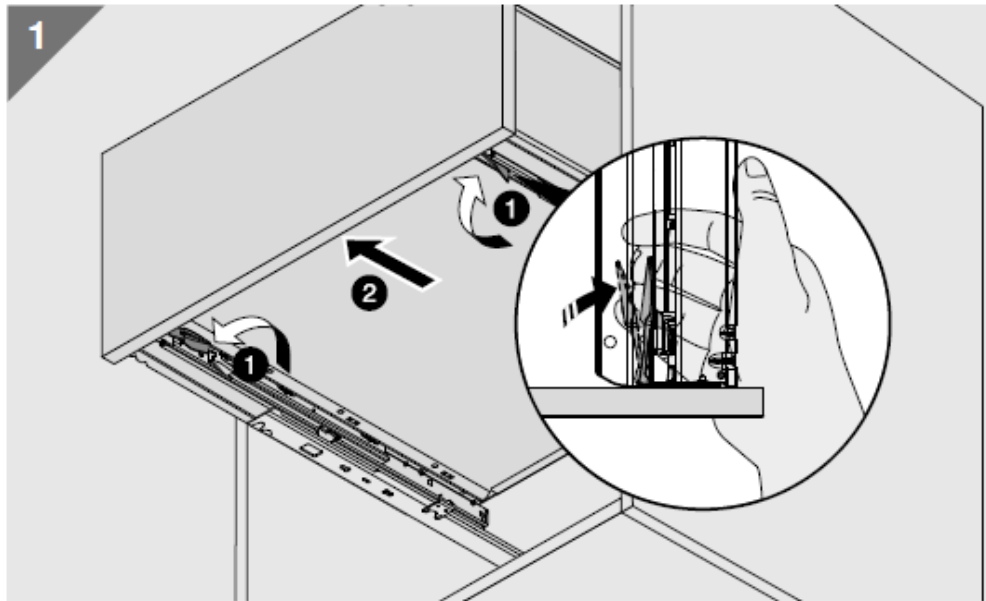
# DRAWERS



## Drawer façade adjustments



## Drawer façade removal



## **CLEANING GUIDE**

WETSTYLE «FRAME LINEA» FURNITURE is made from Oak or Walnut.

WETSTYLE Furniture is ultra-easy to clean: after use, simply wipe with a soft cloth to remove any surface dirt. For standard cleaning, we recommend using warm water with mild soap. Do not use abrasive products or cream cleaners. Never use petroleum-based products when cleaning the wood, i.e. paint thinners or other solvents, as they may damage the wood surface. Glass surfaces may be cleaned using standard glass cleaning products.

## **WARRANTY**

The warranty on WETSTYLE products covers all defects in materials and manufacturing for a period of one year from the date on which the owner originally purchased the product directly from WETSTYLE or from an authorized retailer. This warranty is valid for the original owner only. This warranty does not apply to cases in which a product was incorrectly installed, or to damage due to negligence, misuse, cigarettes, flames, natural disasters or other accidents.

WETSTYLE is not responsible for any fees or recovery charges that may have been generated by the purchase of a product that is not adequate for an existing building structure.

At the discretion of the manufacturer, the guarantee is limited to the repair or replacement (of a product of equal or greater value) at the condition that the claim is made during the guarantee period to an authorized dealer or directly to WETSTYLE. The handling fees and all other charges related to the product replacement are not covered by the guarantee.

Printed in Canada



[www.WETSTYLE.CA](http://www.WETSTYLE.CA) – Montreal – Canada  
Tel. 450.536.9000 – 1.888.536.9001 – Fax. 450.536.0202