



# Installation guide

## Accessory - Head/back rest

### BEFORE YOU BEGIN

Thank you for choosing from among WETSTYLE's quality line of products. We recommend that you carefully read this guide to ensure your head/back rest functions properly and reliably for many years to come.

### INSTALLATION

Place the head/back rest directly on the bottom of the bathtub and let it lean on the back slope of the bathtub. Four little suction cups prevent it from floating.

#### Suction Cups:

To Attach — Moisten surface of suction cups and apply pillow to surface of the bathtub.

To Remove — Place finger on edge of suction cups to break suction and lift away.

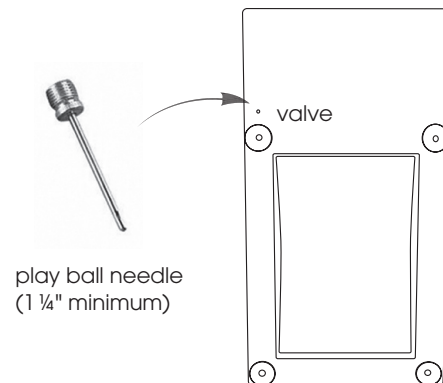
This is important as *pulling on it may result in the suction cup being removed from the pillow.*

#### Air Inflating:

A standard play ball needle (1 ¼" minimum) valve can be used to adjust the air filled comfort of the pillow.

Gently insert the needle adaptor into the valve to inflate/deflate.

**WARNING: "Only use a hand held air pump or manually inflate using a standard play ball needle adaptor - do not use compressed air and never inflate over 1 PSI/ .5 BAR."**



head/back rest,  
rear view

## CLEANING GUIDE

The WETSTYLE head/back rest is made from PVC. The head/back rest is available in black.

The WETSTYLE head/back rest is easy to clean: after each use, simply wipe with a soft cloth after each use, to remove any surface dirt.

For standard cleaning, we recommend using soft clear soap or cleaning products such as Mr. Clean, Fantastik.

Do not use abrasive products or cream cleansers.

Never use petroleum-based products when cleaning, i.e. paint thinners or other solvents, as they may damage the surface.

## WARRANTY

The warranty on WETSTYLE products covers all defects in materials and manufacturing for a period of one year from the day on which the owner originally purchased the product from an authorized retailer. This warranty is valid for the original owner only.

This warranty does not apply to cases in which a product was incorrectly installed, nor to damage due to negligence, misuse, cigarettes, flames, natural catastrophes or other accidents.

Any transformation or alteration made to a WETSTYLE product automatically voids the warranty.

The manufacturer's warranty is limited to repair or replacement (with a product of equal value), provided the claim is made to an authorized retailer or directly to WETSTYLE within the warranty period. Labour costs and any other expenses entailed by replacement of a WETSTYLE product are not covered by the warranty.



www.WETSTYLE.CA - Montreal - Canada  
Tel. 450.536.9000 - 1 888.536.9001 - Fax. 450.536.0202