



# Cube

## VCM 24

inch 24 x 18 x 4 mm 610 x 457 x 102

### interior dimensions

inch 16 x 11.5 x 3.375 mm 406 x 292 x 86

### weight

lb - 19 kg - 9

### installation

above counter

### accessory

nil

### overflow

without overflow : VCM 24  
built-in overflow : VCM 24-O  
polished chrome or brushed nickel

### faucet hole

mono, 8" c/c, no hole  
or custom drillings

### material

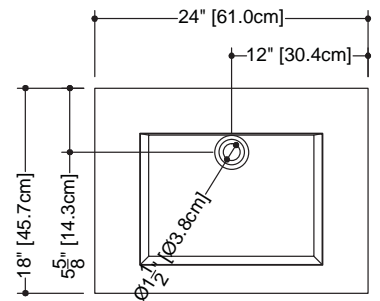
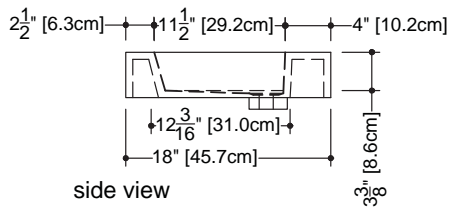
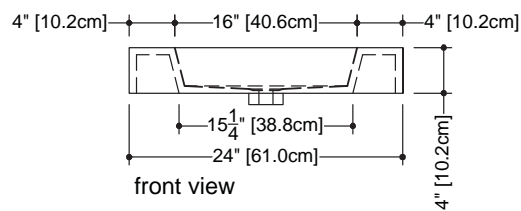
WETMAR BIO™, True High Gloss™  
or matte finish

### color

white

### codes/standards applicable

IAPMO-ANSI Z124.1 – IAPMO-ANSI Z124.3  
CSA B 45.0 – CSA B45.4



WETSTYLE cannot be held responsible for any technical errors and reserves the right to make revisions without notice.

Approximate measurement.  
The manufacturer accept 1/4" (6.35mm) variance.

www.WETSTYLE.CA - Montreal - Canada  
Tel. 450.536.9000 - 1 888.536.9001 - Fax. 450.536.0202

