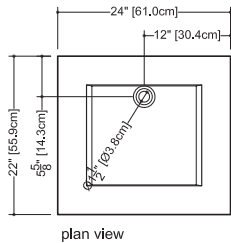


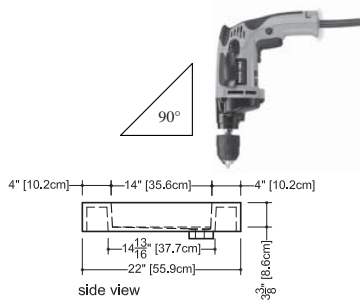
Tap drilling instructions



1. From a hole saw kit, select a 1-3/8" diameter bit to drill the hole.



2. Mark out the center of the hole to be drilled or use template. See next page.



3. Install the sink on a stable surface. Make sure that you are in a comfortable working position.

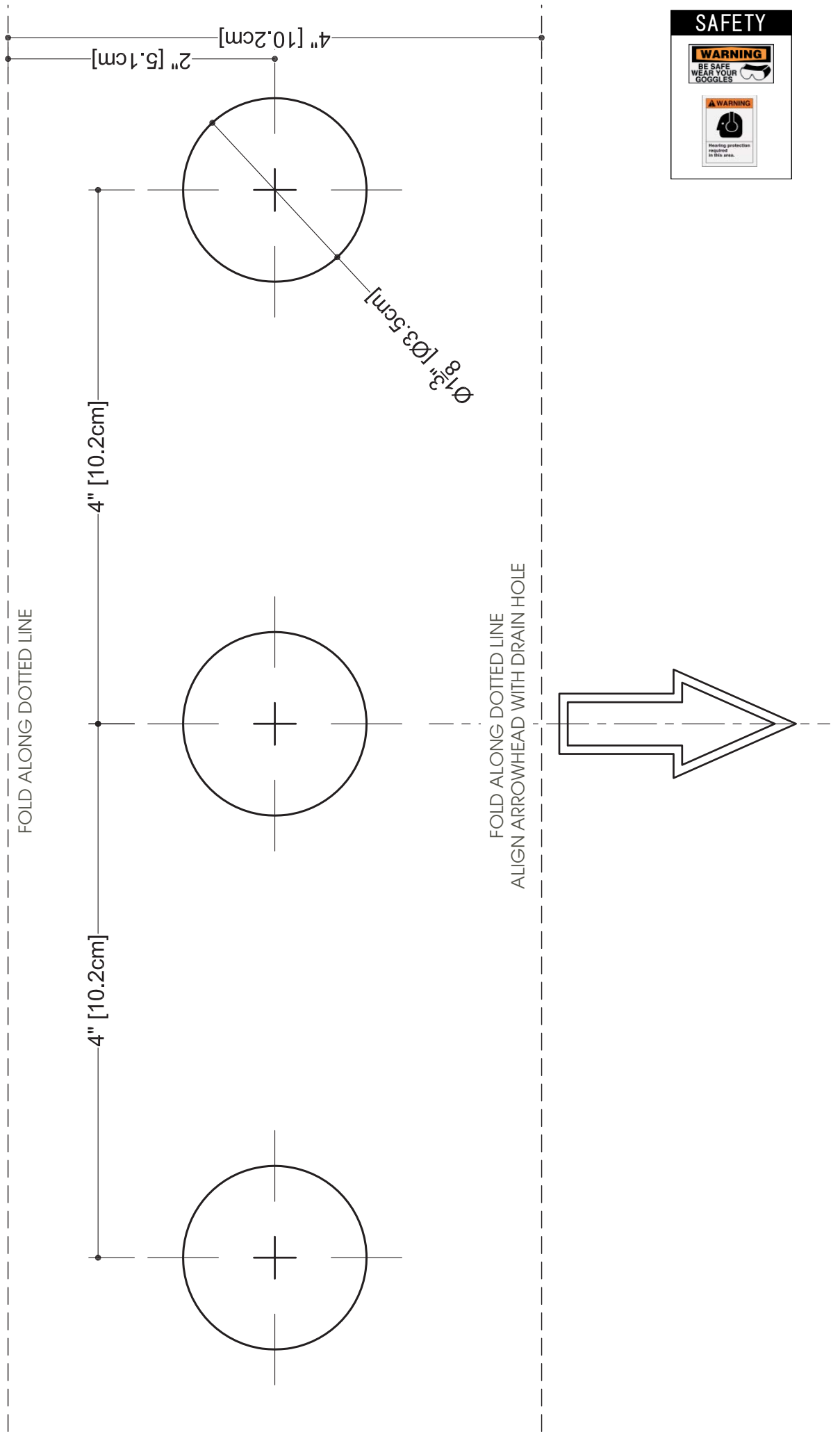
4. Hold the drill perpendicular to the surface.

5. Make sure to apply light pressure when drilling. You may want to pull the drill out occasionally to remove any dust accumulation.

N.B. Material thickness is 3/4".

CUBE
TAP DRILLING INSTRUCTIONS

DRILLING TEMPLATE



SAFETY

WARNING
BE SAFE
WEAR YOUR
GOGGLES

WARNING
Hearing protection
required
in this area.